

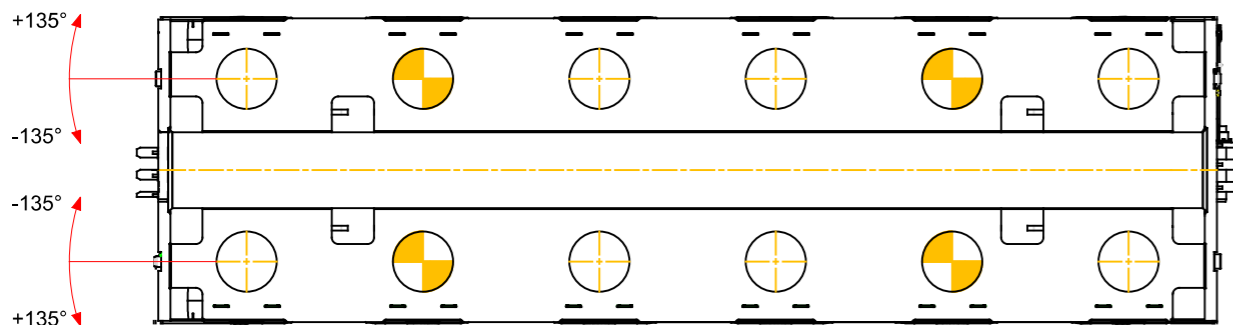
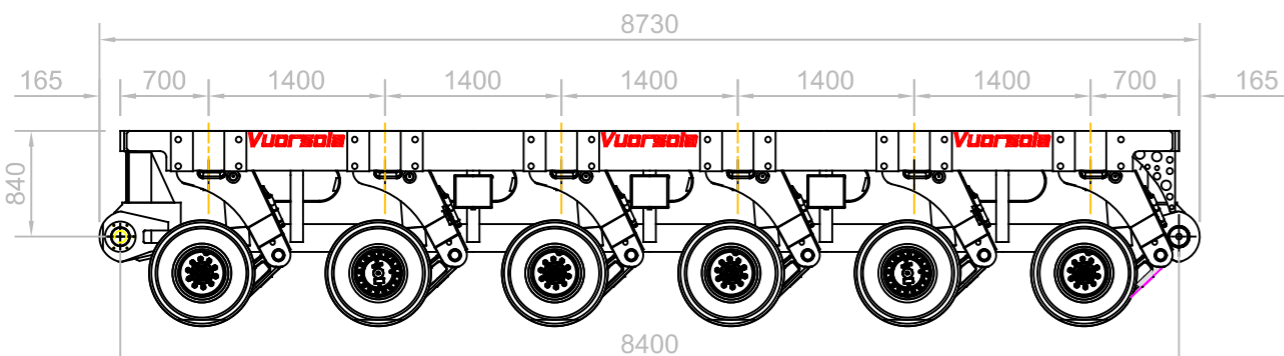
A

B

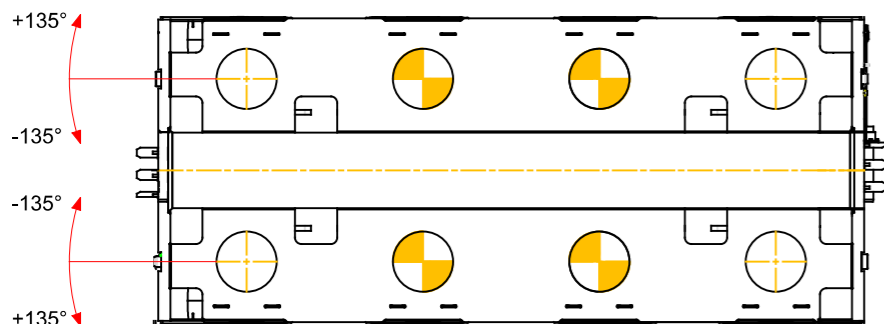
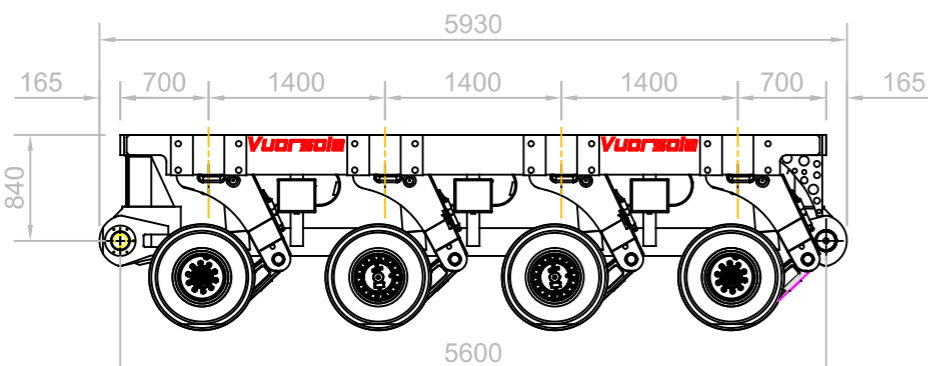
C

D

Side Elevation



Side Elevation

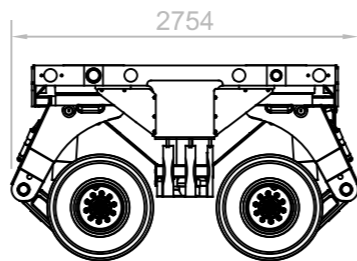
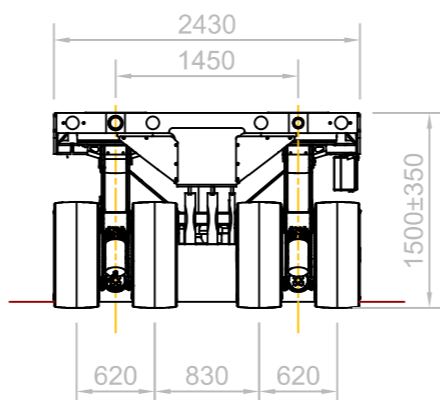


Drive Pendulum Axle

Brake Pendulum Axle

Connectable Platform Trailers  
 Total number of pendulum axles: 32  
 Total number of pendulum axles with drive: 12

End Elevation



General Information

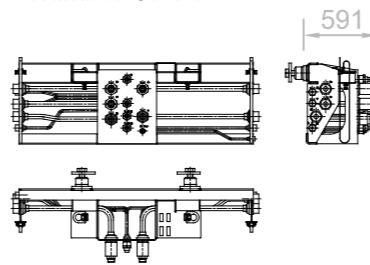
Description:	Cometto MSPE 4 Axle Module	Cometto MSPE 6 Axle Module
Type:	4/4/2,43 48T	6/4/2,43 48T
Number Of:	2	4
Platform Height		
Minimum (shipping):	1150mm	1150mm
Minimum Operational:	1200mm	1200mm
Maximum Operational:	1800mm	1800mm
Maximum:	1850mm	1850mm
Dead Weight:	17,100kg	24,000kg
Payload:	146,1T / 5km/h, 174,9T / 0,5km/h	220,8T / 5km/h, 264T / 0,5km/h
Pendulum Axles (total/driven/braked):	8 / 4 / 4	12 / 4 / 6
Tractive Force (Total):	256 kN	256 kN
Brake Force Maximum (Total):	140 kN	280 kN
Pneumatic Tires:	355/65-15 PR32	355/65-15 PR32

Lateral coupling support  
 Dead Weight: 180kg

Number Of. : 16

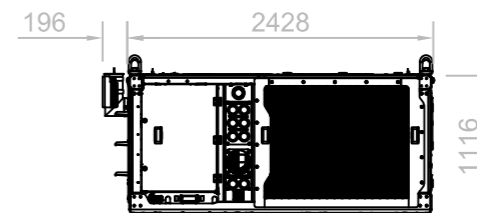
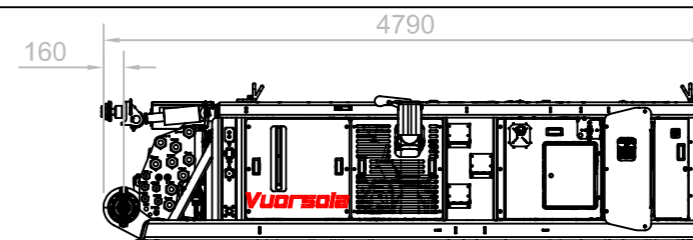
Lateral coupling support  
 Dead Weight: ≈300kg

Number Of. : 4



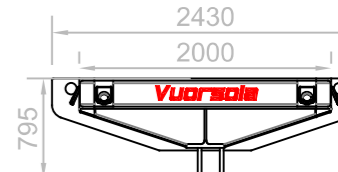
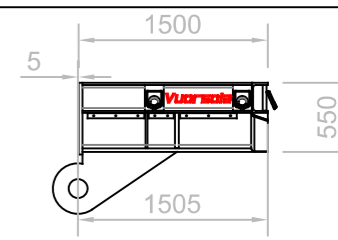
Coupling header  
 Dead Weight: ≈250kg

Number Of. : 2



Power Pack Unit 368kW  
 Dead Weight: 7850kg

Number Of. : 2



Deck Extension  
 Dead Weight: 1200kg

Number Of. : 2

Project num.	Customer
Drawn AKO	Date Drawn 08/01/2024
Approved JVU	Date Approved 08/01/2024
Truck	
Trailer	COMETTO MSPE 48T
Cargo	

# VUORSOLA

Drawing Title  
 COMETTO MSPE 48T

Drawing Number  
 0740-0001

Scale 1:60  
 Sheet 1/1

A

B

C

D

1

2

3

4

1

2

3

4